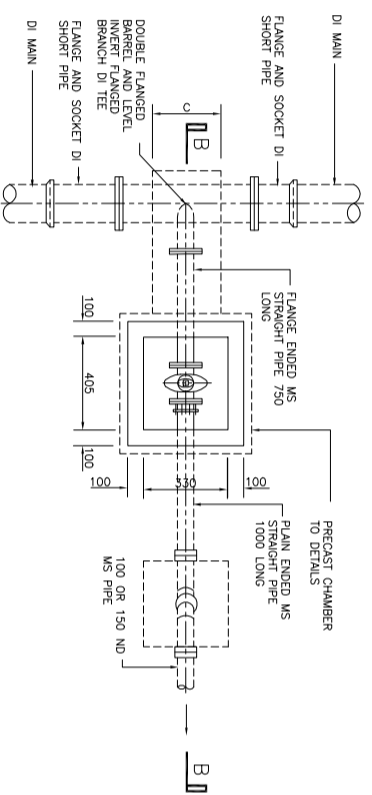
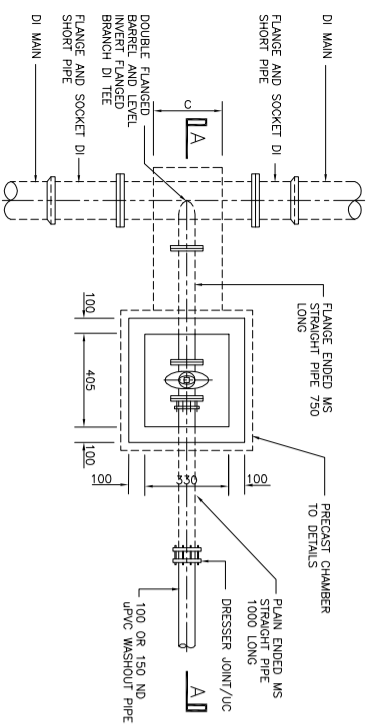
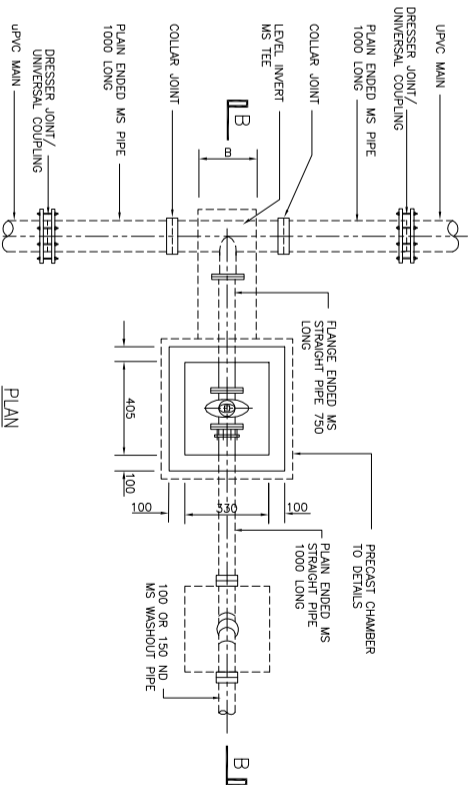


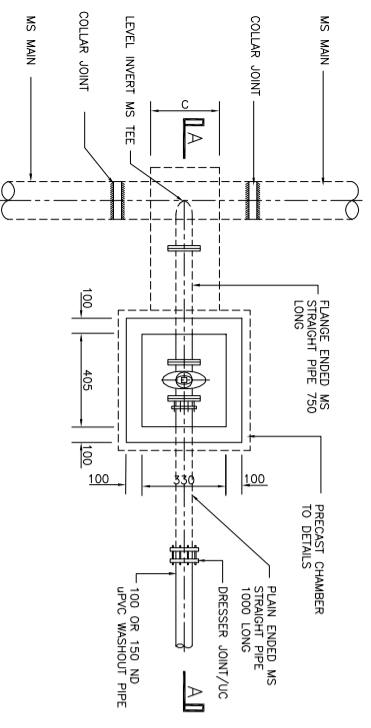
WASHOUT (TYPE '1') WITH UPVC/MPVC PIPE ARRANGEMENT
SCALE A



WASHOUT (TYPE '1') WITH DI PIPE ARRANGEMENT

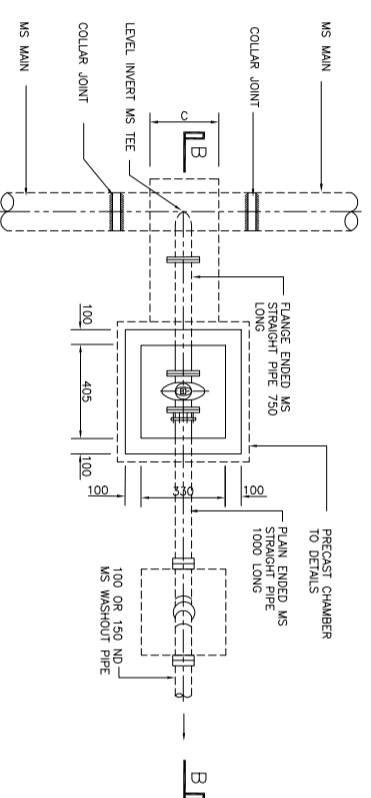


WASHOUT (TYPE '2') WITH UPVC/MPVC PIPE ARRANGEMENT
SCALE A



PLAN

WASHOUT (TYPE '1') WITH MS PIPE ARRANGEMENT



PLAN

WASHOUT (TYPE '2') WITH MS PIPE ARRANGEMENT

THRUST BLOCK FOR WASHOUT TEE (CHAMBER TYPE '1' AND TYPE '2')		
BRANCH PIPE ND (mm)	C (mm)	
150	450	
100	400	

WASHOUT SCHEDULE		
TYPE	MAN PIPE DIA. (mm)	WASHOUT TEE BRANCH DIA. (mm)
1 AND 2	100 - 400	100
	450 - 600	150

- NOTE :
- 1) ALL DIMENSIONS ARE IN MILLIMETRE AND LEVEL IN METRE UNLESS OTHERWISE STATED
 - 2) FOR RC DETAILS OF PRECAST CHAMBER, REFER DRAWING NO.
 - 3) FOR DETAILS OF PC SLAB COVER, REFER DRAWING NO. SAJ/STD/CH/02

REV.	REVISION BY	DESCRIPTION	DATE



SAJ Holdings Sdn Bhd (478718-H)
 Jalan Garuda, Larkin, P.O Box 262,
 80350 Johor Bahru, Johor, Malaysia
 T. +607 - 224 4040 F. +607 - 224 0033
 1800-86-7474 sms 018-772 7474 www.saj.com.my customer.care@saj.com.my

PROJECT :
 DRAWING TITLE :
DETAILS OF WASHOUT (PRECAST CHAMBER)
 DRAWN BY : MAZZ
 CHECKED : MFB
 SCALE : NOT TO SCALE
 DATE : DECEMBER 2013
 DESIGNED : W.C
 APPROVED : T.C
 DRAWING NO. : SAJ/STD/CH/03