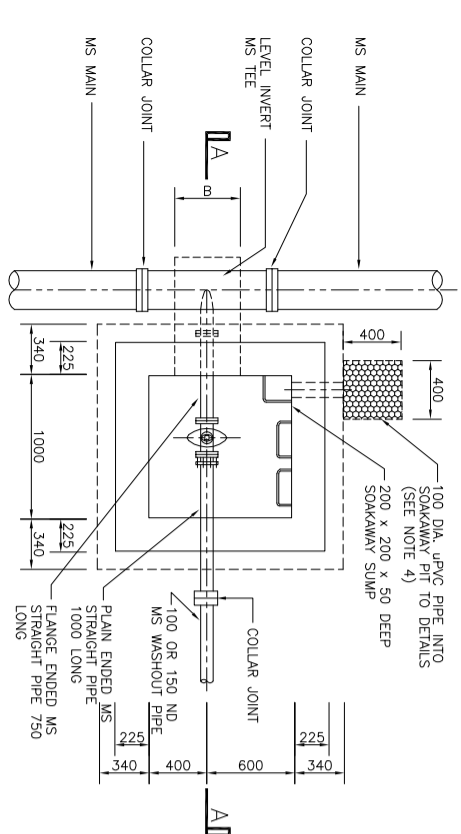
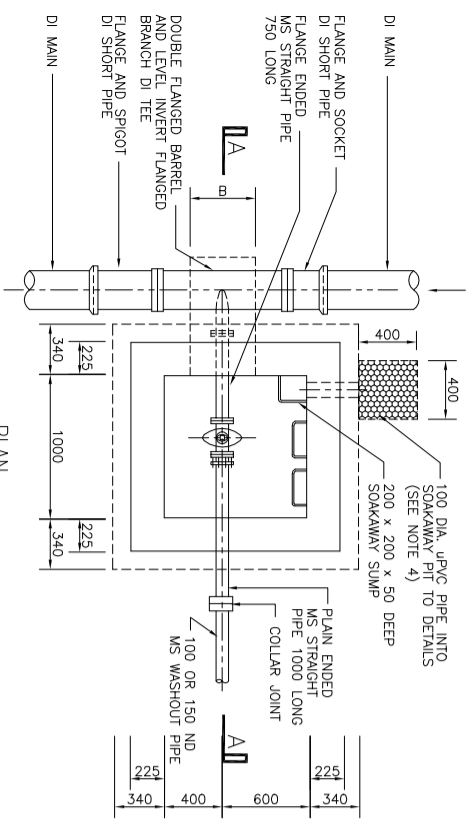


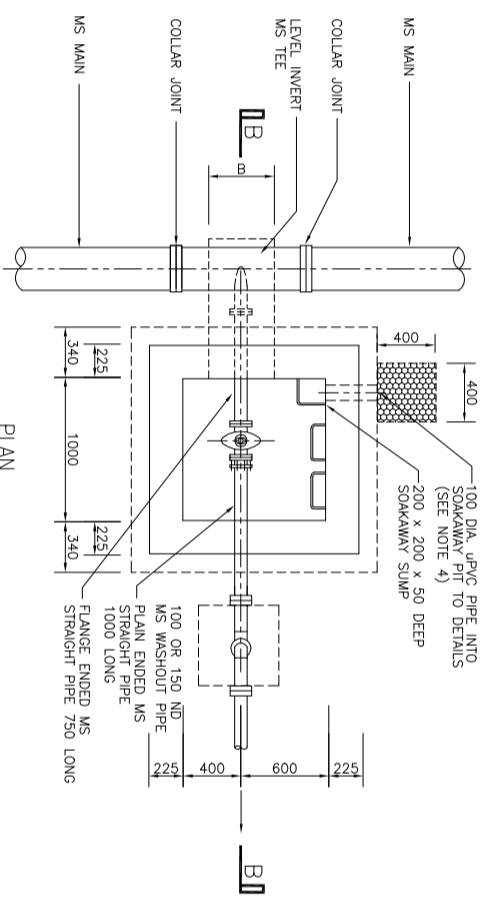
SECTIONAL PLAN
SCALE B
DETAILS OF BRACKET FOR EXTENSION SPINDLE



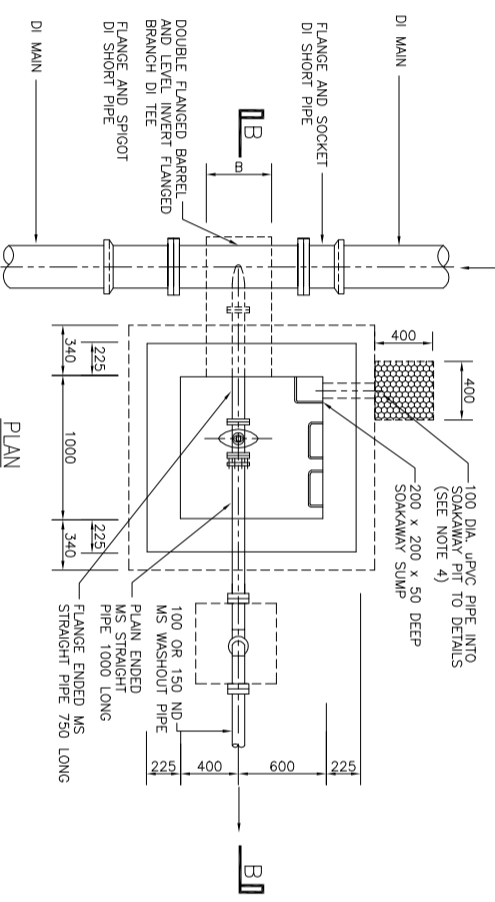
WASHOUT (TYPE 'A') WITH MS PIPE ARRANGEMENT
SCALE A



WASHOUT (TYPE 'A') WITH DI PIPE ARRANGEMENT
SCALE A



WASHOUT (TYPE 'B') WITH MS PIPE ARRANGEMENT
SCALE A




WASHOUT (TYPE 'B') WITH DI PIPE ARRANGEMENT
SCALE A

WASHOUT SCHEDULE		
TYPE	MAIN PIPE DIA. (mm)	WASHOUT TEE BRANCH DIA. (mm)
A AND B	100 - 400	100
	450 - 400	150

THRUST BLOCK FOR WASHOUT TEE (CHAMBER TYPE 'A' AND TYPE 'B')		
BRANCH PIPE NO (mm)	B (mm)	
150	450	
100	400	

- NOTE:
- 1) ALL DIMENSIONS ARE IN MILLIMETRE AND LEVELS IN METRE UNLESS OTHERWISE STATED.
 - 2) ALL CONCRETE TO BE GRADE 25 UNLESS OTHERWISE STATED
 - 3) ALL GRAVEL, SOAKAWAY TO BE WRAPPED WITH TWO LAYERS OF APPROVED FILTER CLOTH.
 - 4) THE uPVC DRAIN PIPE AND SOAKAWAY SHALL ONLY BE PROVIDED IF THE GROUND WATER TABLE IS LOWER THAN THE INVERT LEVEL OF THE CHAMBER AS DIRECTED BY THE S.O
 - 5) FOR DETAILS OF PC SLAB COVER AND CAPPING BEAM REFER DRG. NO.



SAJ Holdings Sdn Bhd. (476718-H)
 Jalan Garuda, Larkin, P.O. Box 282,
 80350 Johor Bahru, Johor, Malaysia
 T: +607 - 224 4040 F: +607 - 224 0033
 183048-7474_ssm 0197727474 www.saj.com.my customer.care@saj.com.my

PROJECT:

DRAWING TITLE:
DETAILS OF BRICKWALL WASHOUT CHAMBER WITH MS & DI PIPE ARRANGEMENT

DRAWN BY: MAZZ	DESIGNED: W/C
CHECKED: MFB	APPROVED: T/C
SCALE: NOT TO SCALE	DATE: DECEMBER 2013
DRAWING NO: SAJ/STD/CH/10	