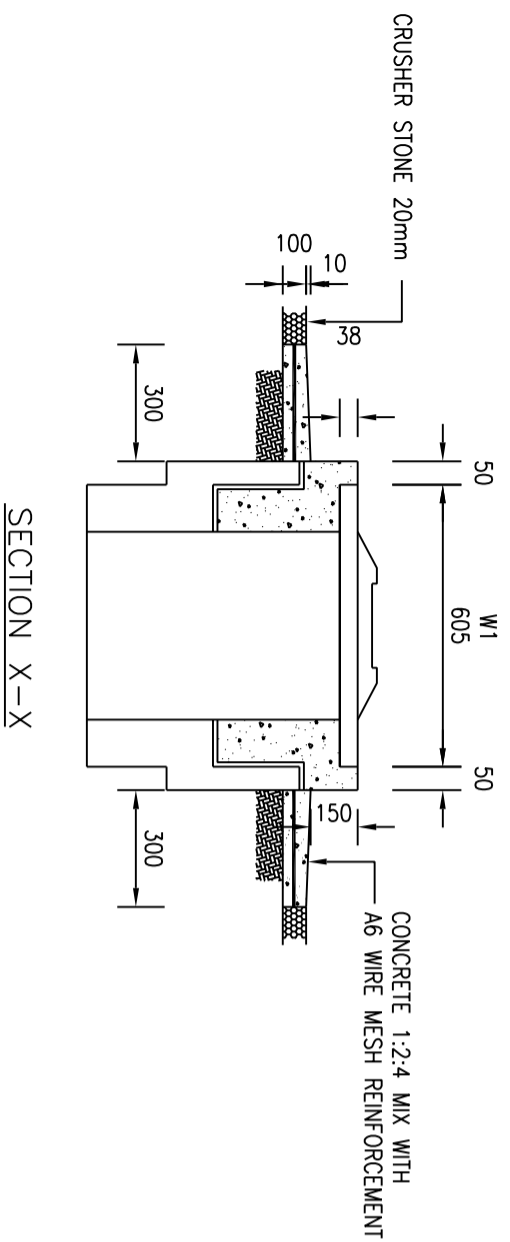
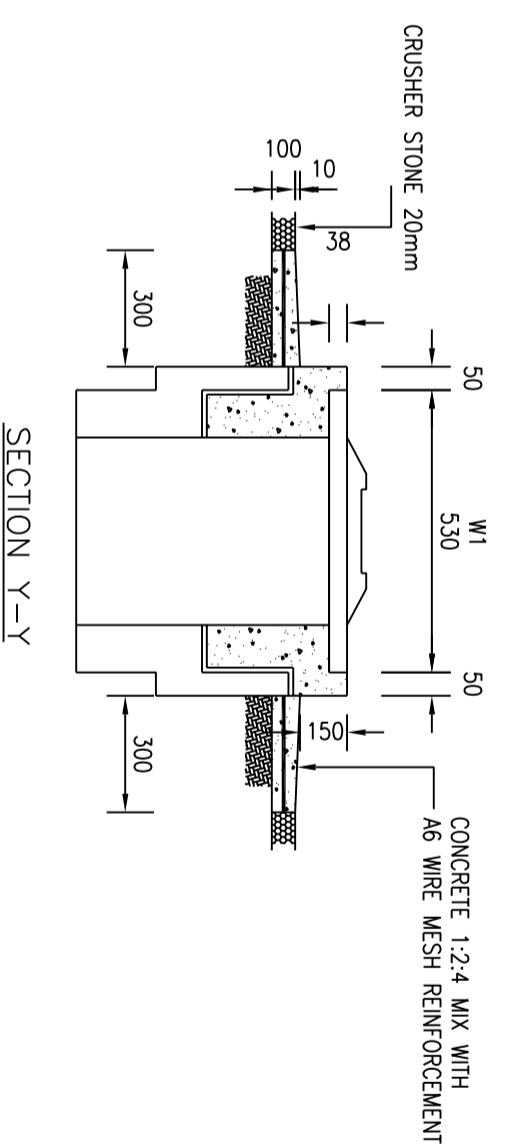


CONCRETE APRON FOR CHAMBER
SIDE PROTECTION



SECTION X-X



SECTION Y-Y

NOTE:

REV.	REVISION BY	DESCRIPTION	DATE



SAJ Holdings Sdn Bhd. (476718-H)
Jalan Garuda, Larkin, P.O Box 262,
80350 Johor Bahru, Johor, Malaysia
T +607 - 224 4040 F +607 - 224 0033
168086424 sara 017-2727474 www.saj.com.my contact@saj.com.my

PROJECT :

DRAWING TITLE :
DETAILS OF CONCRETE APRON FOR CHAMBER SIDE PROTECTION

DRAWN BY : MVR	DESIGNED : W.C
CHECKED : MFB	APPROVED : T.C
SCALE : NOT TO SCALE	DATE : DECEMBER 2013
DRAWING NO : SAJ/STD/CH/18	