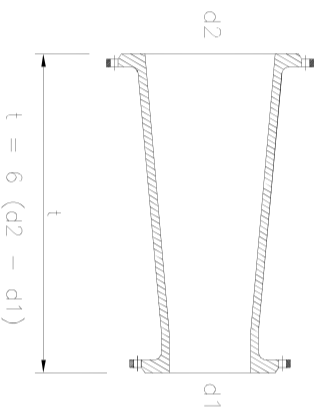
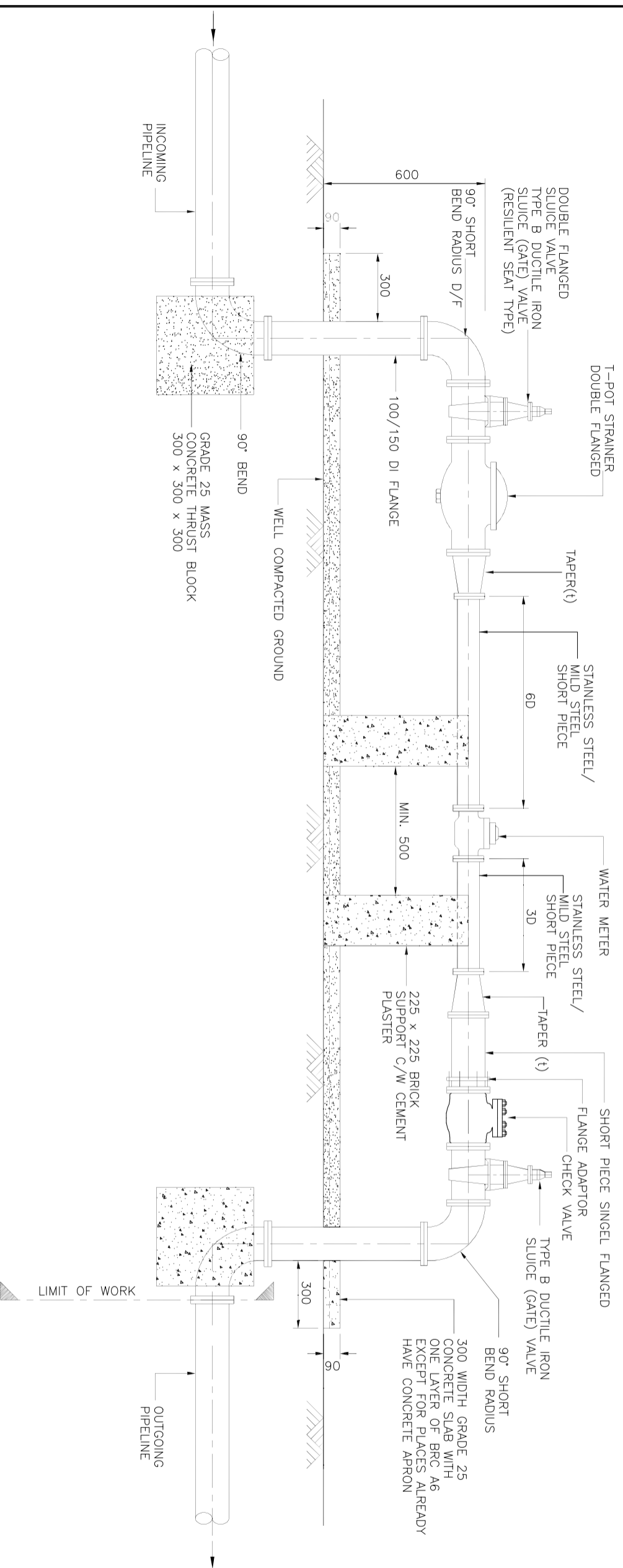


- NOTE:
1. ALL DIMENSIONS ARE IN MILLIMETRE AND LEVELS ARE IN METRE UNLESS OTHERWISE STATED.
 2. ALL CONCRETE TO BE GRADE 25 UNLESS OTHERWISE STATED.
 3. ALL FLANGE SHALL COMPLY WITH BS EN 1092-1:2002
 4. ALL DUCTILE IRON PIPEWORKS SHALL BE SOURCED FROM SUPPLIERS/MANUFACTURERS APPROVED
 5. METER STAND PAINTED HAZE WITH BLUE COLOUR



REDUCER DIMENSION

REV.	REVISION BY	DESCRIPTION	DATE



SAJ Holdings Sdn Bhd. (476718-H)
 Jalan Garuda, Larkin, P.O. Box 882,
 80350 Johor Bahru, Johor, Malaysia
 T: +607 - 224 4040 F: +607 - 224 0033
 1890487474_sme 0197727474 www.saj.com.my customer.com@saj.com.my

PROJECT :

DRAWING TITLE :

TYPICAL DETAIL OF BULK METER STAND
 FOR METER SIZE 50/80mm

DRAWN BY : MAZZ	DESIGNED : W.C
CHECKED : MFB	APPROVED : T.C
SCALE : NOT TO SCALE	DATE : DECEMBER 2013
DRAWING NO : SAJ/STDM/PI03	