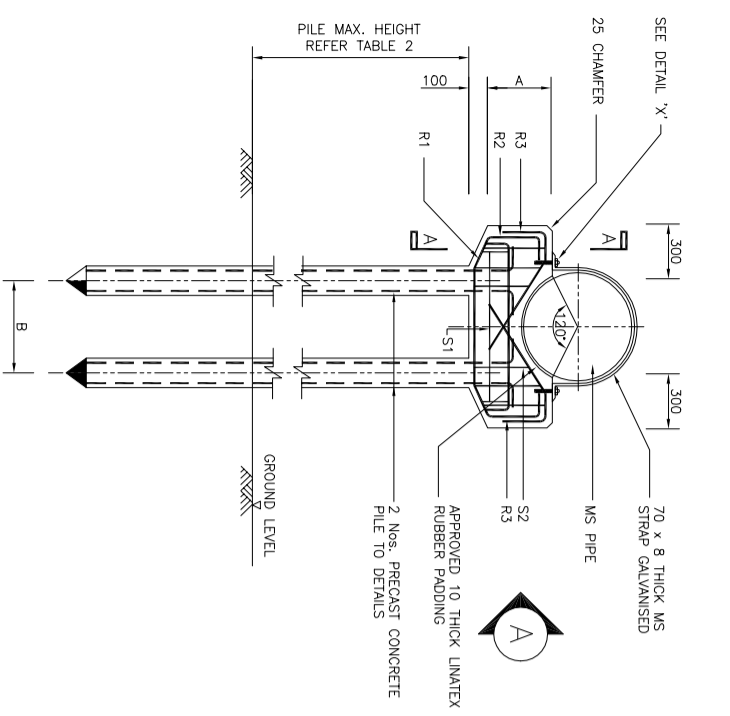
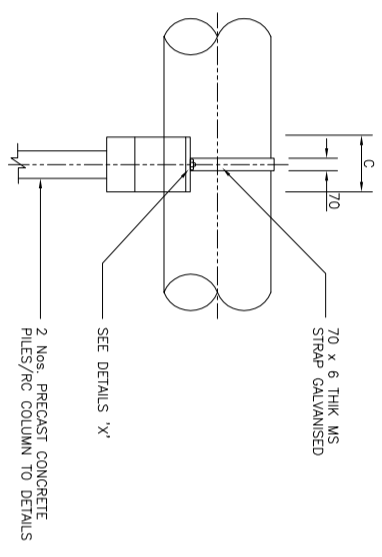


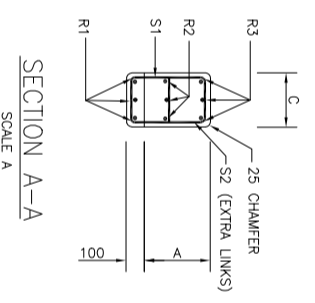
- NOTE:
1. ALL DIMENSIONS ARE IN MILLIMETRE AND LEVELS ARE IN METRE OTHERWISE STATED.
 2. MINIMUM LAP LENGTHS SHALL BE 40 x BAR DIA.
 3. CONCRETE GRADE FOR PIPE SUPPORT SHALL BE GRADE 25 UNLESS OTHERWISE STATED.
 4. MIN. COVER TO REINFORCEMENT :
40 - IN CONTACT WITH EARTH
25 - EXPOSED
 5. DESIGN BEARING CAPACITY OF SOIL ON FOOTINGS 100 KN/m².
 6. FOOTING SHALL BE ONLY BE USED ON HARD GROUND AS DIRECTED BY THE S.O.



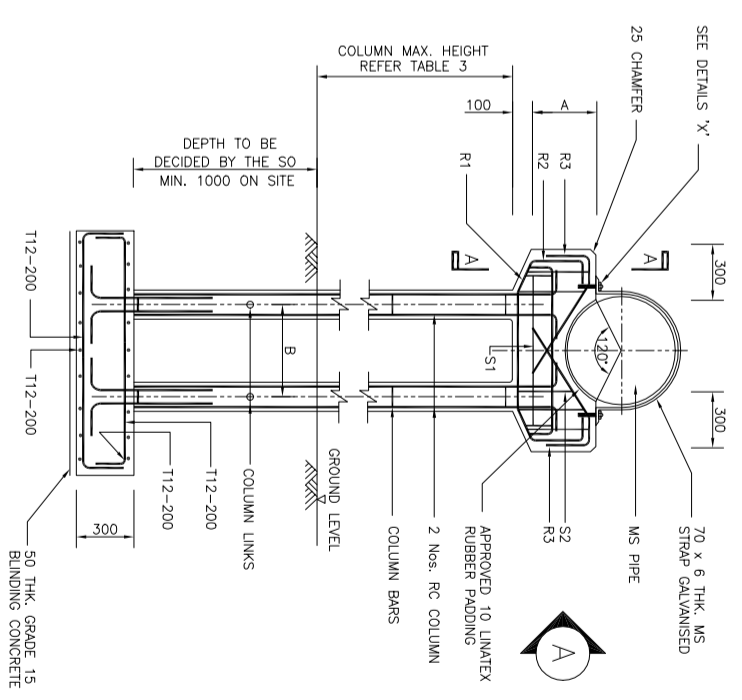
TWIN PILE SADDLE SUPPORT
SCALE A



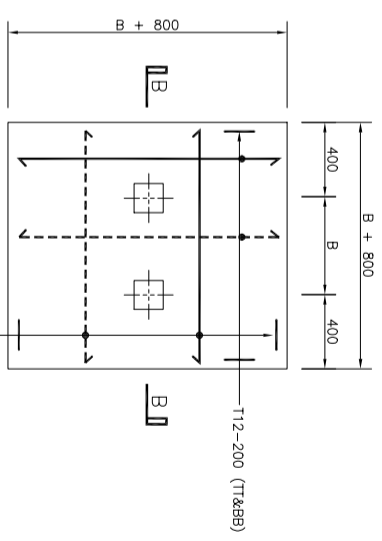
VIEW 'A-A'
SCALE A



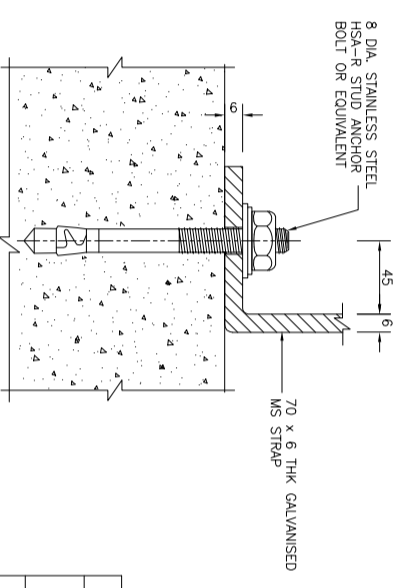
SECTION A-A
SCALE A



TWIN COLUMN SADDLE SUPPORT
SCALE A



RC DETAIL OF FOOTING FOR
SADDLE SUPPORT ON COLUMN
SCALE A



DETAIL 'X'
SCALE B

TABLE 1
SADDLE SUPPORT ON TWIN PILE/COLUMN FOR MS PIPE

PIPE ND	DIMENSION (mm)			REINFORCEMENT				
	A	B	C	R1	R2	R3	S1	S2
100	TWIN 150	200	150	300	3110	3110	R6 - 100	R6 - 100
150	TWIN 150	300	450	300	3110	3110	R6 - 100	R6 - 100
200	TWIN 150	300	450	300	3110	3110	R6 - 100	R6 - 100
250	TWIN 150	300	450	300	3110	3110	R6 - 100	R6 - 100
300	TWIN 200	300	450	300	3110	3110	R6 - 100	R6 - 100
350	TWIN 200	300	800	400	3712	3712	R6 - 100	R6 - 100
400	TWIN 200	400	800	400	3712	3712	R6 - 100	R6 - 100
150	TWIN 250	400	800	450	3712	3712	R10 - 150	R10 - 150
200	TWIN 250	400	800	450	3712	3712	R10 - 150	R10 - 150
300	TWIN 250	400	800	450	3712	3712	R10 - 150	R10 - 150

TABLE 2
PILE MAXIMUM HEIGHT ABOVE AROUND

PILE SIZE	HEIGHT (m) ABOVE GRD. SURFACE
150 SQ.	0 - 3.0
200 SQ.	0 - 3.0
250 SQ.	0 - 3.0

TABLE 3
SADDLE SUPPORT ON COLUMN FOR MS PIPE

HEIGHT (m) ABOVE GRD. SURFACE	COLUMN SIZE	COLUMN BARS	COLUMN LINKS
0 - 3.0	150 x 150	4 T 12	R10 - 200
0 - 3.0	200 x 200	4 T 15	R10 - 200
0 - 3.0	250 x 250	4 T 16	R10 - 200

REV.	REVISD BY	DESCRIPTION	DATE

PROJECT: DETAILS OF SADDLE SUPPORT

DRAWING TITLE: DETAILS OF SADDLE SUPPORT

DRAWN BY: MAZZ DESIGNED: WJC

CHECKED: MFB APPROVED: T.C

SCALE: NOT TO SCALE DATE: DECEMBER 2013

DRAWING NO: SAUSD/PS/01

S&J Holdings Sdn Bhd. (478718-H)
 Jalan Garuda, Larkin, P.O.Box 282,
 80350 Johor Bahru, Johor, Malaysia
 T. +607 - 224 4040 F. +607 - 224 0033
 1600-86-7474 email: 018-772 7474 www.s&j.com.my customer.care@s&j.com.my