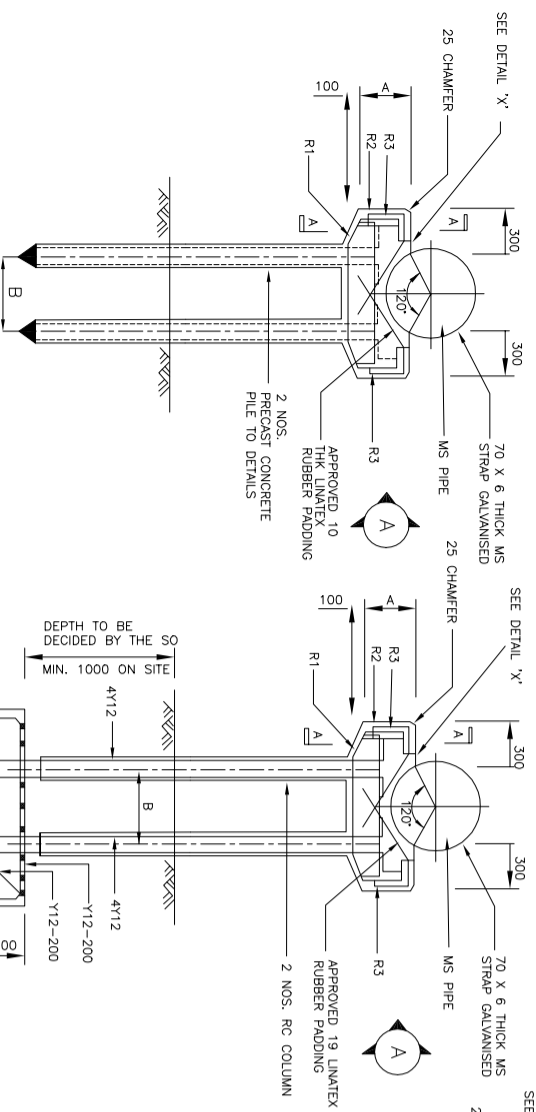
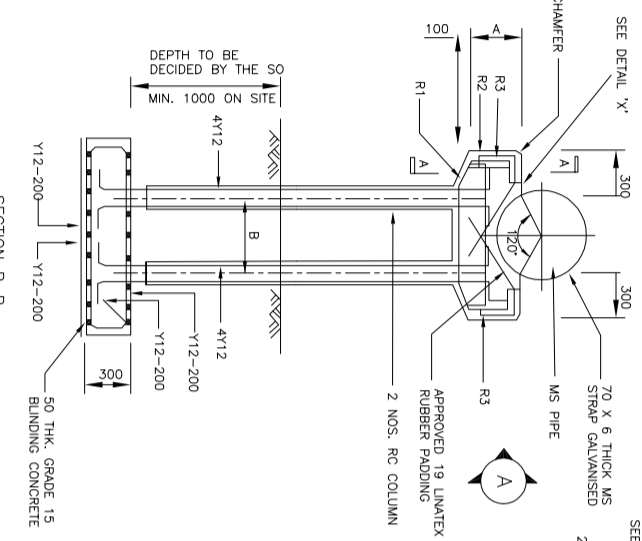


NOTE:

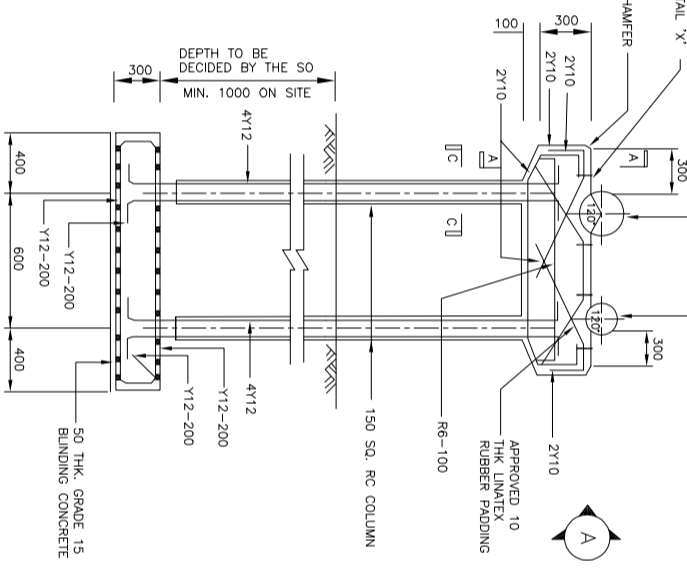
- 1) MINIMUM LAP LENGTHS SHALL BE 50 X BAR DIA.
- 2) CONCRETE GRADE FOR PIPE SUPPORT SHALL BE GRADE 25 UNLESS OTHERWISE STATED.
- 3) MINCOVER TO REINFORCEMENT :
40--IN CONTACT WITH EARTH
25--EXPOSED
- 4) DESIGN BEARING CAPACITY OF SOIL ON FOOTINGS 100 kN/mp
- 5) FOOTING SHALL BE ONLY BE USED ON HARD GROUND AS DIRECTED BY THE SO.



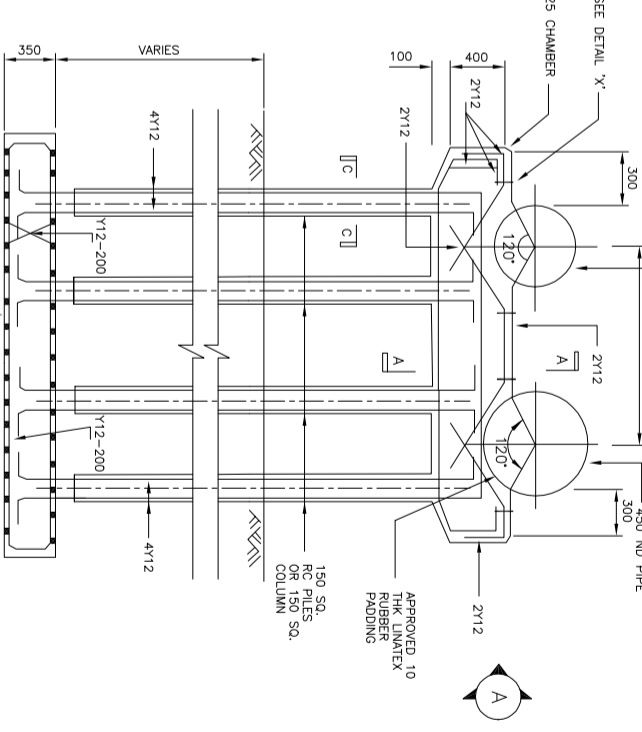
TYPICAL TWIN PILE SADDLE SUPPORT



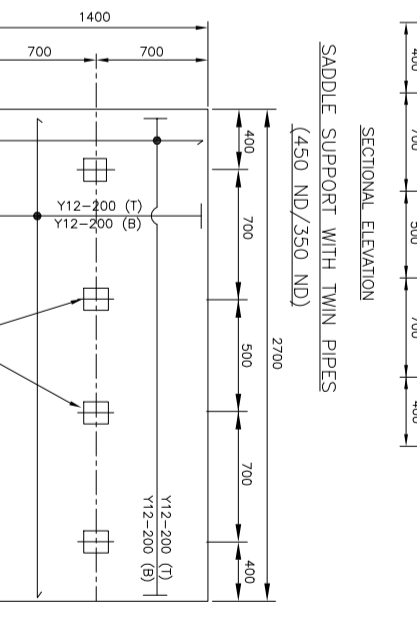
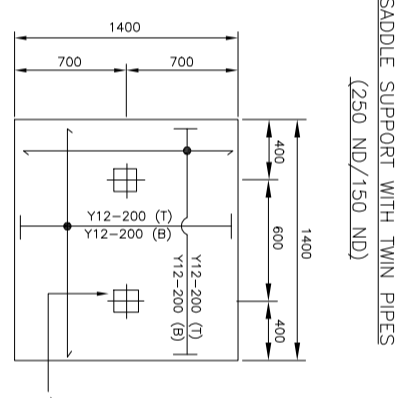
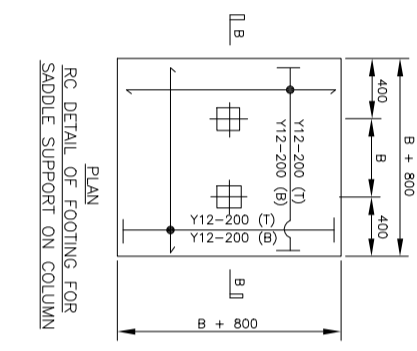
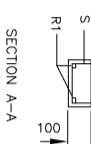
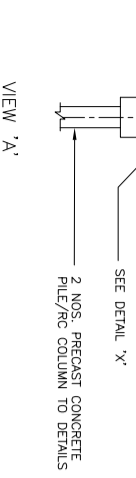
TYPICAL TWIN COLUMN SADDLE SUPPORT



SADDLE SUPPORT WITH TWIN PILES (250 ND/150 ND)



SADDLE SUPPORT WITH TWIN PILES (450 ND/350 ND)



REV.	REVISION BY	DESCRIPTION	DATE



SAJ Holdings Sdn Bhd. (476718-11)
Jalan Garuda, Larkin, P.O Box 262,
80350 Johor Bahru, Johor, Malaysia
T. +607 - 224 4040 F. +607 - 224 0033
1606-66-7474 Fax:016/2727474 www.saj.com.my customer@sa.com.my

TABLE 1
SADDLE SUPPORT ON TWIN PILE/COLUMN FOR MS PIPE

TYPE	PILE SIZE	DIMENSION (mm)			REINFORCEMENT				
		A	B	C	R1	R2	R3	S	
TWIN	150 SQ.	300	450	300	2Y10	2Y10	2Y10	R6 - 100	
	200	300	450	300	2Y10	2Y10	2Y10	R6 - 100	
	250	300	450	300	2Y10	2Y10	2Y10	R6 - 100	
	300	300	450	300	2Y10	2Y10	2Y10	R6 - 100	
	350	300	450	300	2Y12	2Y12	2Y12	R6 - 100	
TWIN	150 SQ.	300	450	300	2Y10	2Y10	2Y10	R6 - 100	
	200	400	600	300	2Y12	2Y12	2Y12	R6 - 100	
	250	400	600	300	2Y12	2Y12	2Y12	R6 - 100	
	300	400	600	300	2Y12	2Y12	2Y12	R6 - 100	
	350	400	600	300	2Y12	2Y12	2Y12	R6 - 100	

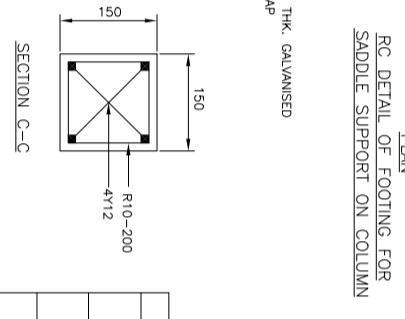
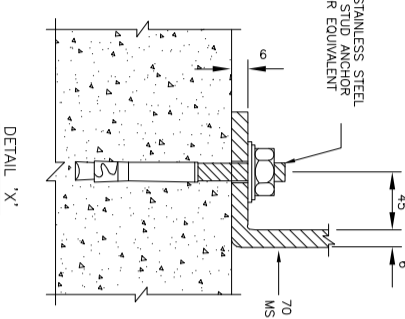


TABLE 2
PILE MAXIMUM HEIGHT ABOVE GROUND

PILE SIZE	HEIGHT (m) ABOVE GROUND SURFACE
150 SQ.	0-3.0

TABLE 3
SADDLE SUPPORT ON COLUMN FOR MS PIPE

PILE SIZE	HEIGHT (m) ABOVE GROUND SURFACE	COLUMN SIZE	COLUMN BARS	LINKS
150 SQ.	0 - 3.0	150 X 150	4 Y 12	R10 - 200

DETAILS OF PIPE SADDLE SUPPORT

DRAWN BY : MAZZ
DESIGNED : WJC
CHECKED : MFB
APPROVED : T.C
SCALE : NOT TO SCALE
DATE : DECEMBER 2013
DRAWING NO : SAJ/STD/Psp/02